

## 5.9.6 GFOA

### Basic Information

Refer to [Card Overview](#) for the number, power consumptions, maximum frame length and weight of the card.

### Panel Description



Table 5-30 Interfaces

Identifier	Meaning	Description
1 to 16	Agile-PON ports	Connect to ONUs via an ODN.

Table 5-31 Indicator LEDs

Identifier	Meaning	Color	Status	Description
ACT	Working indicator LED	Green	ON	The card is working normally.
			Blinking slowly	The card is being initialized.
			Blinking quickly	The card is receiving a configuration command from the core switch card or the communication between the active and standby cards is being set up.
			OFF	The card is not powered on normally or is reset abnormally.
ALM	Alarm indicator LED	Red	ON	The card has an urgent alarm.
			OFF	The card has no urgent alarms.
1 to 16	Port status indicator LED	Green	ON	The ONU under the PON port is registered and authorized.
			OFF	No ONU under the PON port is registered or authorized.

## Technical Specifications

See [Comparison Between PON Combo Interface Cards](#) for technical specifications of the card.

## Matching Module

Module Type	Module Code
GPON optical module	2.5/1.25G-20km-GPON OLT-SFP (CLASS C+)
GPON & XG-PON Combo optical module	10/2.5G: 2.5/1.25G-20km-XG-PON: GPON OLT-SFP+ (C+ ODN CLASS)
GPON & XGS-PON Combo optical module	10/10G: 10/2.5G: 2.5/1.25G-20km-XGS-PON: XG-PON: GPON OLT-SFP+ (C+ ODN CLASS)
Note 1: <a href="#">GPON Optical Module</a> and <a href="#">Combo PON Optical Module</a> describe the module specifications.	

## Function

For functions of the card, see [Comparison Between PON Combo Interface Cards](#).

## Working Principle

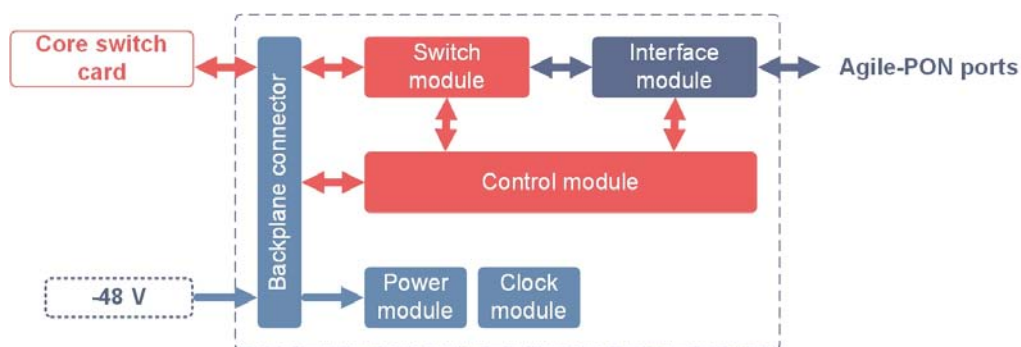


Figure 5-14 Working Principle of the GFOA Card

- ◆ The interface module provides Agile-PON ports, and enables conversion between GPON / XG-PON / XGS-PON packets and Ethernet packets.
- ◆ The switch module aggregates signals from 16 ports.
- ◆ The control module loads the card software, controls the card operation, and manages the card.
- ◆ The power module supplies power to each functional module of the card.
- ◆ The clock module provides working clock signals for each functional module of the card.