

# Huawei OptiXstar F200D-8P Datasheet

Date: 2023-10-12

## Overview

The Huawei OptiXstar F200D-8P is a box-shaped ONU designed for enterprise campus and video backhaul scenarios. It provides eight GE service ports and supports PoE/PoE+, providing users with high-quality voice, data, and HD video services.



## Features & Benefits

- PoE/PoE+ for flexible power supply
- - 10° C to +55° C wide temperature range, strong environment adaptability
- Plug and play

## Hardware Specifications

<b>Network-side port</b>	GPON (BOB)	<b>User-side port</b>	8xGE, all supporting PoE/PoE+
<b>System power supply</b>	56 V DC, 2.67 A	<b>Rated input range of power adapter</b>	100–240 V AC, 50/60 Hz
<b>Installation mode</b>	Indoor desktop, wall, or network box	<b>Dimensions (H x W x D)</b>	220 mm x 150 mm x 35 mm (excluding rubber pad)
<b>Operating temperature</b>	-10°C to +55°C	<b>Operating humidity</b>	5%–95% RH, non-condensing
<b>Surge protection</b>	GE: 6 kV in common mode and 1.5 kV in	<b>Weight</b>	About 1.2 kg

<b>specifications</b>	differential mode AC power port: 6 kV in common mode and 6 kV in differential mode		
<b>Static power consumption</b>	9 W	<b>Maximum power consumption</b>	12 W (PoE ports without PDs) 135 W (PoE ports with PDs with the maximum power consumption)
<b>Maximum PoE output power</b>	120 W in total and 30 W per PoE port	-	-

## Port Parameters

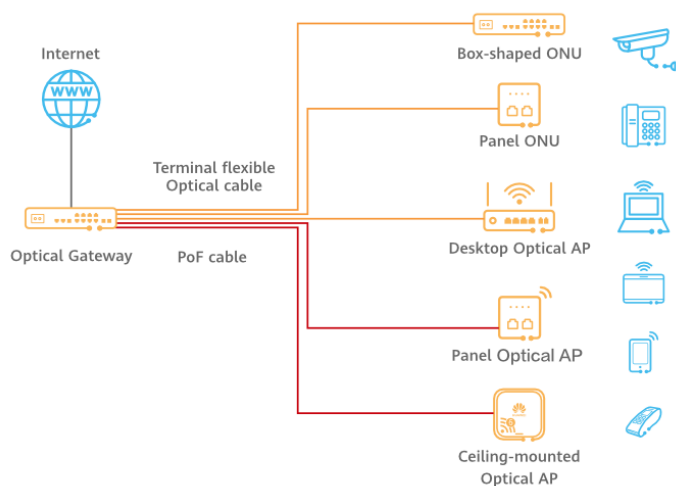
<b>GPON Port</b>	<b>GE Port</b>
<ul style="list-style-type: none"> <li>Port type: SC/UPC</li> <li>Complies with ITU-T G.984.2, Class B+.</li> <li>Receiver sensitivity: -27 dBm to -29 dBm</li> <li>Overload optical power: -8 dBm</li> <li>Transmission rate: downstream rate 2.488 Gbit/s, upstream rate 1.244 Gbit/s</li> </ul>	<ul style="list-style-type: none"> <li>The PoE port supports PoE and PoE+ functions and complies with IEEE 802.3af and IEEE 802.3at.</li> <li>Port type: RJ45</li> <li>10/100/1000 Mbit/s auto-sensing</li> <li>MDI/MDIX automatic configuration</li> <li>Configuring the number of learnable mac addresses</li> <li>Ethernet port-based VLAN transparent transmission and filtering</li> </ul>

## Product Functions

<b>Smart connectivity</b>	<b>O&amp;M</b>
<ul style="list-style-type: none"> <li>Upstream mode: fiber upstream transmission</li> <li>Working mode: bridging</li> </ul>	<ul style="list-style-type: none"> <li>Web UI</li> <li>One-click diagnosis of Internet connection status and hardware status</li> </ul>

# Typical Application


MiniFTTO networking scenario



## Specifications of a 150 W Power Adapter

### NOTE

This power adapter is delivered with the device.


Specification Name	Power adapter
Appearance	
Dimensions	198 mm (L) x 100 mm (W) x 43 mm (H)
Power parameters	Input voltage: 100–240 V AC, 50 Hz/60 Hz Rated output voltage/current: 56 V DC/2.679 A Output connector type: DC straight connector 5.5 mm x 2.1 mm x 10 mm
Power	150 W
Weight	About 0.81 kg
Installation mode	Desktop
Operating temperature	–40°C to +55°C
Power cable	Wire gauge: 2468 20AWG Cable length: 1.5 m

---

**Copyright © Huawei Technologies Co., Ltd. 2023. All rights reserved.**

No part of this document may be reproduced or transmitted in any form or by any means without prior written consent of Huawei Technologies Co., Ltd.

#### **Trademarks and Permissions**

 HUAWEI and other Huawei trademarks are trademarks of Huawei Technologies Co., Ltd.

All other trademarks and trade names mentioned in this document are the property of their respective holders.

#### **Notice**

The purchased products, services and features are stipulated by the contract made between Huawei and the customer. All or part of the products, services and features described in this document may not be within the purchase scope or the usage scope. Unless otherwise specified in the contract, all statements, information, and recommendations in this document are provided "AS IS" without warranties, guarantees or representations of any kind, either express or implied.

The information in this document is subject to change without notice. Every effort has been made in the preparation of this document to ensure accuracy of the contents, but all statements, information, and recommendations in this document do not constitute a warranty of any kind, express or implied.

#### **Huawei Technologies Co., Ltd.**

Address: Huawei Industrial Base Bantian,  
Longgang Shenzhen 518129 People's  
Republic of China

Website: [www.huawei.com](http://www.huawei.com)