

F600C-30-1GH Datasheet

Overview

Huawei OptiXstar F600C-30-1GH is an Optical AP that supports Wi-Fi 6 for enterprises. It provides ultra-broadband access through optical fibers in the upstream direction and works with a primary gateway device to realize gigabit Wi-Fi coverage for enterprises.



NOTE

The schematic diagrams in this document may differ from the actual product.

Highlight

- Supports Wi-Fi 6, 160 MHz frequency band, and an air interface rate of 3 Gbit/s. The maximum test rate reaches 1.2 Gbit/s.
- Based on the OFDMA technology, a single secondary device supports 64 concurrent connections.

- Supports seamless Wi-Fi roaming with a handover latency about 100 ms.
- Photoelectric composite cables supply power to remote secondary devices, eliminating difficulties in power acquisition.
- Features high efficiency and stability, strong anti-interference capability, and wide coverage.

Hardware Specifications

Dimensions (H x W x D)	38 mm x 200 mm x 200 mm	Weight (excluding adapter)	About 0.6kg
Power supply	12 V DC, 1.5 A (power obtained through adapter) 56 V DC, 0.3 A (POF* power supply)	Rated input range of power adapter	100~240 V AC,50/60 Hz
Static power consumption	6W	Maximum power consumption	11W
Fiber port	GPON upstream transmission (port type: XC/UPC)	Button	Reset button
Ports	NNI: GPON UNI: 1 GE + 2.4 GHz & 5 GHz Wi-Fi 6	Indicator	One WLAN running indicator
Operating Temperature	-10°C to +50°C	Installation mode	Ceiling-mounted installation
Operating humidity	5%–95% RH, non-condensing	-	-

*POF refers to photoelectric composite cable.

NOTE

Use a power adapter that complies with related safety standards or has passed the CE certification. Otherwise, the device may be damaged.

Wi-Fi Specifications

Supported protocol	IEEE 802.11 ax (2.4GHz&5GHz)	MIMO	2 x 2 MIMO (2.4 GHz & 5 GHz)
Antenna gain	5 dBi	Air interface rate	574 Mbps (2.4 GHz) 2402 Mbps (5 GHz)
Maximum Tx power	23 dBm NOTE The actual Tx power varies with local laws and regulations.	Frequency band	20/40/80/160 MHz
Others	1024-QAM, WPA3, DL MU MIMO	-	-

PortParameters

Optical port	Gigabit Ethernet port
---------------------	------------------------------

- Downstream rate: 2.488 Gbit/s; upstream rate: 1.244 Gbit/s
- Plug-and-play

- MAC address limit
- MAC address learning
- 10 Mbit/s, 100 Mbit/s, and 1000 Mbit/s auto-sensing

Product Functions

MiniFTTO Networking Scenario

Enterprise network

- Working with the primary gateway to realize all-optical Wi-Fi coverage for enterprises
 - No electromagnetic interference and low latency
 - Automatic networking and plug-and-play
 - Automatic Wi-Fi configuration synchronization
 - Automatic Wi-Fi channel selection for the primary gateway device
 - Proactive Wi-Fi roaming (802.11k/802.11v) for the primary gateway device with a handover latency about 100 ms

Smart connectivity

- Upstream transmission modes: optical fiber
- Working mode: bridge mode

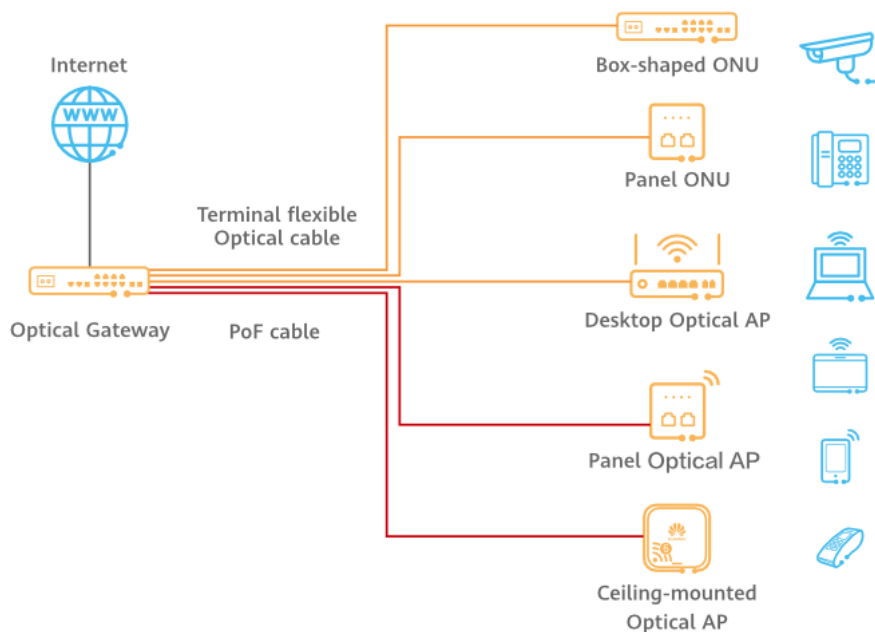
O&M

- Web UI
- Software dual-backup and rollback

*: User terminals must support 802.11k/802.11v.

Typical Application


MiniFTTO networking scenario



Copyright © Huawei Technologies Co., Ltd. 2023. All rights reserved.

No part of this document may be reproduced or transmitted in any form or by any means without prior written consent of Huawei Technologies Co., Ltd.

Trademarks and Permissions

 HUAWEI and other Huawei trademarks are trademarks of Huawei Technologies Co., Ltd.

All other trademarks and trade names mentioned in this document are the property of their respective holders.

Notice

The purchased products, services and features are stipulated by the contract made between Huawei and the customer. All or part of the products, services and features described in this document may not be within the purchase scope or the usage scope. Unless otherwise specified in the contract, all statements, information, and recommendations in this document are provided "AS IS" without warranties, guarantees or representations of any kind, either express or implied.

The information in this document is subject to change without notice. Every effort has been made in the preparation of this document to ensure accuracy of the contents, but all statements, information, and recommendations in this document do not constitute a warranty of any kind, express or implied.

Huawei Technologies Co., Ltd.

Address:Huawei Industrial Base Bantian,
Longgang Shenzhen 518129 People's
Republic of China

Website:<https://eKit.huawei.com>