



# PNB-A9091RLPH

4K Low-Moderate speed LPR Box Camera Kit

FC | UL | CE | EAC

## Key Features

- Embedded Wisenet Road AI application pre-installed and licensed, compatible with USA, Canada, Mexico, Brazil, Uruguay, Paraguay, Argentina, Colombia, Chile plates
- No server or cloud connection needed
- AI-based recognition:
  - License Plate Recognition
  - Make/Model/Color Recognition
  - Allow/Deny list notification
- Efficient Smart Search & Dashboard view (LP, Country/State, brand, model, color)
- Easy setup with wizard for optimal plate identification
- Industrial grade SD card provides on-camera storage for 10,000 vehicle/plate images and access control lists
- VMS integration with Wisenet WAVE, Genetec, & Milestone
- 4K resolution (3840x2160), 12-50mm lens
- 0.03Lux@F1.2(Color), 0 Lux IR Off / 0.003Lux@F1.2(B/W)
- Day & Night (ICR), WDR (120dB)
- H.265, H.264, MJPEG codec, WiseStream III
- Alarm I/O
- PoE+, IP66/IP67
- External IR 850nm, 30° beam pattern

## Included Accessories



PoE+ Enclosure



Wall Mount Bracket



IR Illuminator



12-50mm 4K Lens



PNB-A9001LP

## Related Wisenet Road AI Models



PNO-A9081RLP



PNV-A9081RLP

## Wisenet Road AI Performance Specifications

Usage Type	Parking	Community Traffic	City Traffic	Secondary Roads
Speed	Low speed Up to 25MPH	Moderate speed Up to 45MPH	Moderate speed Up to 65MPH	Moderate speed Up to 75MPH
Lane Coverage	2 lanes @Color (24ft Wide)	2 lanes @Color (18ft Wide)	Up to 2 lanes (18ft Wide)	Up to 2 lanes (18ft Wide)
	1 lane @Black & White with built-in IR	1 lane @Black & White with built-in IR		
Maximum Forward Distance	Color: 52ft Black & White w/ IR: 45ft	Color: 52ft Black & White w/ IR: 45ft	Color: 120ft Black & White: 120ft with ext. IR	Color: 120ft Black & White: 120ft with ext. IR
Maximum Horizontal Angle	30°	25°	25°	15°
Maximum Vertical Angle	30°	25°	25°	15°
Horizontal Offset	Up to 24ft	Up to 18ft	Up to 24ft	Up to 12ft
Camera Install Height	Up to 24ft	Up to 18ft	Up to 24ft	Up to 12ft
Applicable Form Factor	Dome/Bullet/Box	Dome/Bullet/Box	Box w/ enclosure	Box w/ enclosure

# PNB-A9091RLPH

4K Low-Moderate speed  
LPR Box Camera Kit



## Specifications

### License Plate Recognition

Stored Images	Up to 10,000
Vehicle Recognition	Make: 70+ Model: 700+ Color 10
Available Countries	USA, Canada, Mexico, Brazil, Uruguay, Paraguay, Argentina, Colombia, Chile *Additional countries available for other regions
Min. Illumination	Color: 0.03Lux(F1.2, 1/30sec) B/W : 0.003Lux(F1.2, 1/30sec)
Video Out	CVBS: 1.0 Vp-p / 75Ω composite, 720x480(N), 720x576(P) for installation USB: Micro USB Type B, 1280x720 for installation

Usage Type	Parking	Community Traffic	City Traffic	Secondary Roads
Maximum Speed	Low speed Up to 25MPH	Moderate speed Up to 45MPH	Moderate speed Up to 65MPH	Moderate speed Up to 75MPH
Lane Coverage	2 lanes @Color (24ft Wide) 1 lane @Black & White with built-in IR	2 lanes @Color (18ft Wide) 1 lane @Black & White built-in IR	Up to 2 lanes (18ft Wide)	Up to 2 lanes (18ft Wide)
Maximum Forward Distance	Color: 52ft Black & White w/ IR: 45ft	Color: 52ft Black & White w/ IR: 45ft	Color: 120ft Black & White: 120ft with ext. IR	Color: 120ft Black & White: 120ft with ext. IR
Maximum Horizontal Angle	30°	25°	15°	25°
Maximum Vertical Angle	30°	25°	15°	25°
Horizontal Offset	Up to 24ft	Up to 18ft	Up to 24ft	Up to 12ft
Camera Install Height	Up to 24ft	Up to 18ft	Up to 24ft	Up to 12ft
Applicable Model	Dome/Bullet/Box	Dome/Bullet/Box	Box w/ enclosure	Box w/ enclosure

### Video

Imaging Device	1/1.8" CMOS
Resolution	3840x2160, 3072x1728, 2592x1944, 2688x1520, 2560x1440, 2048x1536, 1920x1080, 1600x1200, 1280x1024, 1280x960, 1280x720, 1024x768, 800 x 600, 800 x 448, 720 x 576, 720x480, 640x480, 640x360
Max. Framerate	H.265/H.264: Max. 30fps/25fps(60Hz/50Hz) MJPEG: Max. 30fps/25fps(60Hz/50Hz)
Min. Illumination	Color: 0.03Lux(F1.2, 1/30sec) B/W : 0.003Lux(F1.2, 1/30sec) IR OFF, B/W:0Lux IR LED on (850nm, 30° beam pattern)
Video Out	CVBS: 1.0 Vp-p / 75Ω composite, 720x480(N), 720x576(P) for installation USB: Micro USB Type B, 1280x720 for installation

### Lens

Focus Control	Simple focus
Lens Type	DC auto iris, P iris, Manual, I-CS
Mount Type	Cmount, CSmount
Included lens	SLA-T-M1250DN 12~50mm F1.8

## Operational

Camera Title	Displayed up to 85 characters
Day & Night	Auto(ICR)
Backlight Compensation	BLC, WDR, SSDR
Digital Noise Reduction	SSNRV
Digital Image Stabilization	Stabilization Support(built-in gyro sensor)
Motion Detection	8ea, polygonal zones
Privacy Masking	6ea, rectangle zones - Color: Gray/Black/White
Gain Control	Low / Middle / High
White Balance	ATW / AWC / Manual / Indoor / Outdoor
LDC	Support
Electronic Shutter Speed	Minimum / Maximum / Anti flicker (1/5~1/12,000sec)
Video Rotation	Flip, Mirror, Hallway view(90/270)
Analytics	Defocus detection, Motion detection, Tampering, Audio detection, Sound classification, Shock detection
Serial Interface	RS-485(Samsung-T, Pelco-D/P, Panasonic, Bosch, AD, GE, Vicon, Honeywell)
Alarm I/O	Input 1ea / Output 1ea / DC 12V Power(Max. 50mA) 1ea
Alarm Triggers	Analytics, Network disconnect, Alarm input
Alarm Events	File upload via FTP and e-mail Notification via e-mail SD/SDHC/SDXC or NAS recording at event triggers Alarm output Handover, Audio playback
Audio In	Selectable(mic in/line in/Built in mic) Supply voltage: 2.5VDC(4mA), Input impedance: 2K Ohm
Audio Out	Line out, Max.output level: 1Vrms

## Network

Ethernet	Metal shielded RJ-45(10/100/1000 BASE-T)
Video Compression	H.265/H.264: Main/High, MJPEG
Audio Compression	G.711 u-law /G.726 Selectable G.726(ADPCM) 8KHz, G.711 8KHz G.726: 16Kbps, 24Kbps, 32Kbps, 40Kbps AAC-LC: 48Kbps at 16KHz
Smart Codec	Manual(5ea area), WiseStreamII
Bitrate Control	H.264/H.265: CBR or VBR MJPEG: VBR
Streaming	Unicast(6 users) / Multicast Multiple streaming(Up to 3 profiles)
Protocol	IPv4, IPv6, TCP/IP, UDP/IP, RTP(UDP), RTP(TCP), RTCP, RTSP, NTP, HTTP, HTTPS, SSL/TLS, DHCP, FTP, SMTP, ICMP, IGMP, SNMPv1/v2c/v3(MIB-2), ARP, DNS, DDNS, QoS, UPnP, Bonjour, LLDP, SRTP (TCP, UDP Unicast)
Security	HTTPS(SSL) Login Authentication, Digest Login Authentication, IP Address Filtering , User access log, 802.1X Authentication(EAP-TLS, EAP-LEAP) Device Certificate(Hanwha Techwin Root CA) Secure boot
Application Programming Interface	ONVIF Profile S/G/T SUNAPI(HTTP API) Wisenet open platform

## General

Webpage Language	English, French, German, Spanish, Italian, Chinese, Korean, Russian, Japanese, Swedish, Portuguese, Czech, Polish, Turkish, Dutch, Hungarian, Greek
Edge Storage	Pre-installed with 32GB Micro SD to support 10,000 LPR images
Memory	4096MB RAM, 512MB Flash

## Environmental & Electrical

Operating Temperature / Humidity	-10°C ~ +55°C (14°F ~ +131°F) / Less than 90% RH
Storage Temperature / Humidity	-50°C ~ +60°C(-58°F ~ +140°F) / Less than 90% RH
Input Voltage	PoE+(IEEE802.3at) PoE+ board with IPM technology (Intelligent power management)
Power Consumption	PoE+ Maximum 25.5W, at startup 23.5W, typical 22.8W
Ingress Protection	IP66 / IP67

## Mechanical

Color / Material	Aluminum housing & mount, sunshield ABS, RAL9002 color
Product Dimensions / Weight	6.30x20.24x6.93, Weight : 16.4lb

Design and specifications are subject to change without notice. The latest product information / specification can be found at [hanwhasecurity.com](http://hanwhasecurity.com)

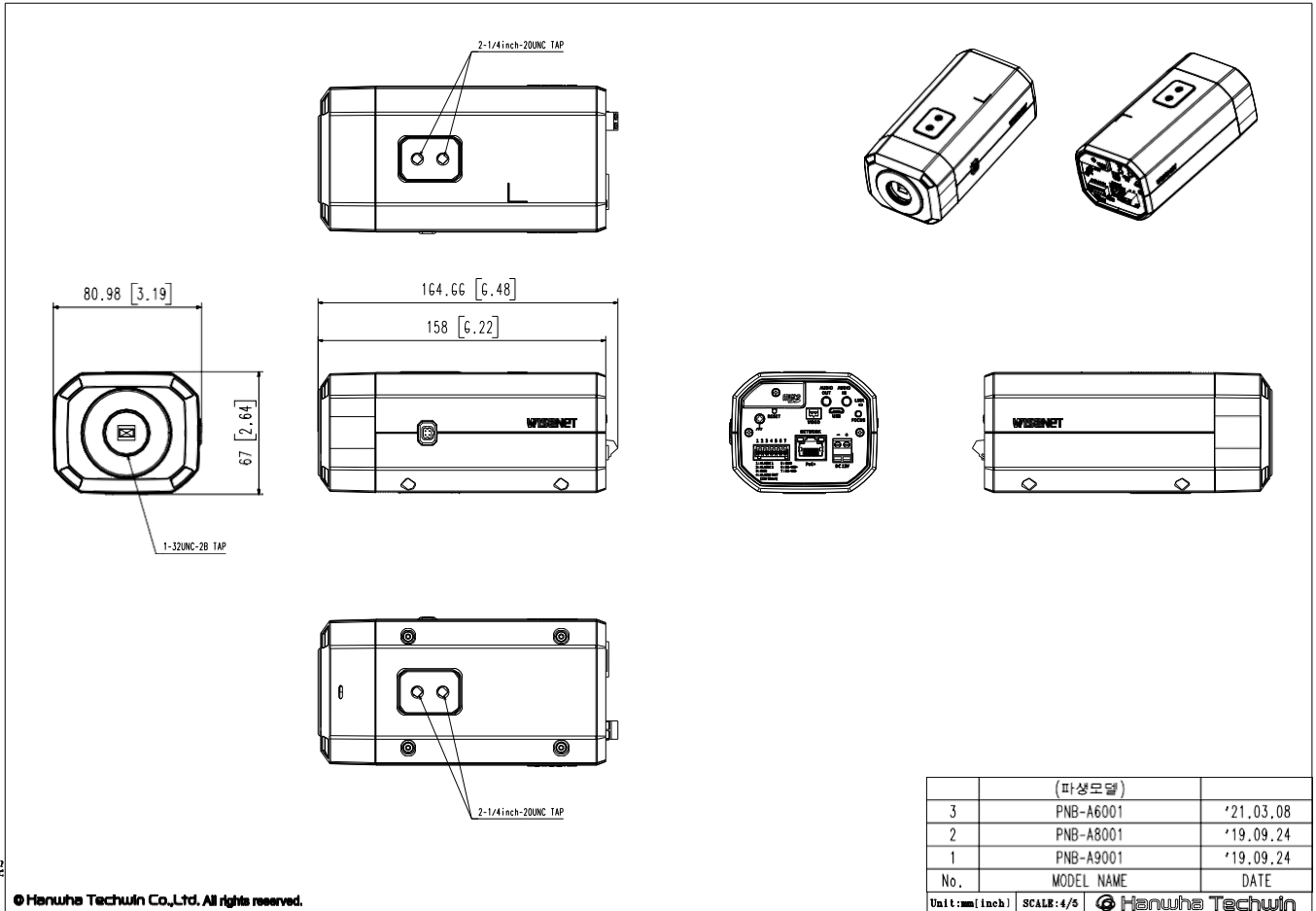
# PNB-A9091RLPH

4K Low-Moderate speed  
LPR Box Camera Kit



CAD

Unit: mm [inch]



A2

© Hanwha Techwin Co., Ltd. All rights reserved.

# PNB-A9091RLPH

4K Low-Moderate speed  
LPR Box Camera Kit



CAD

Unit: mm

